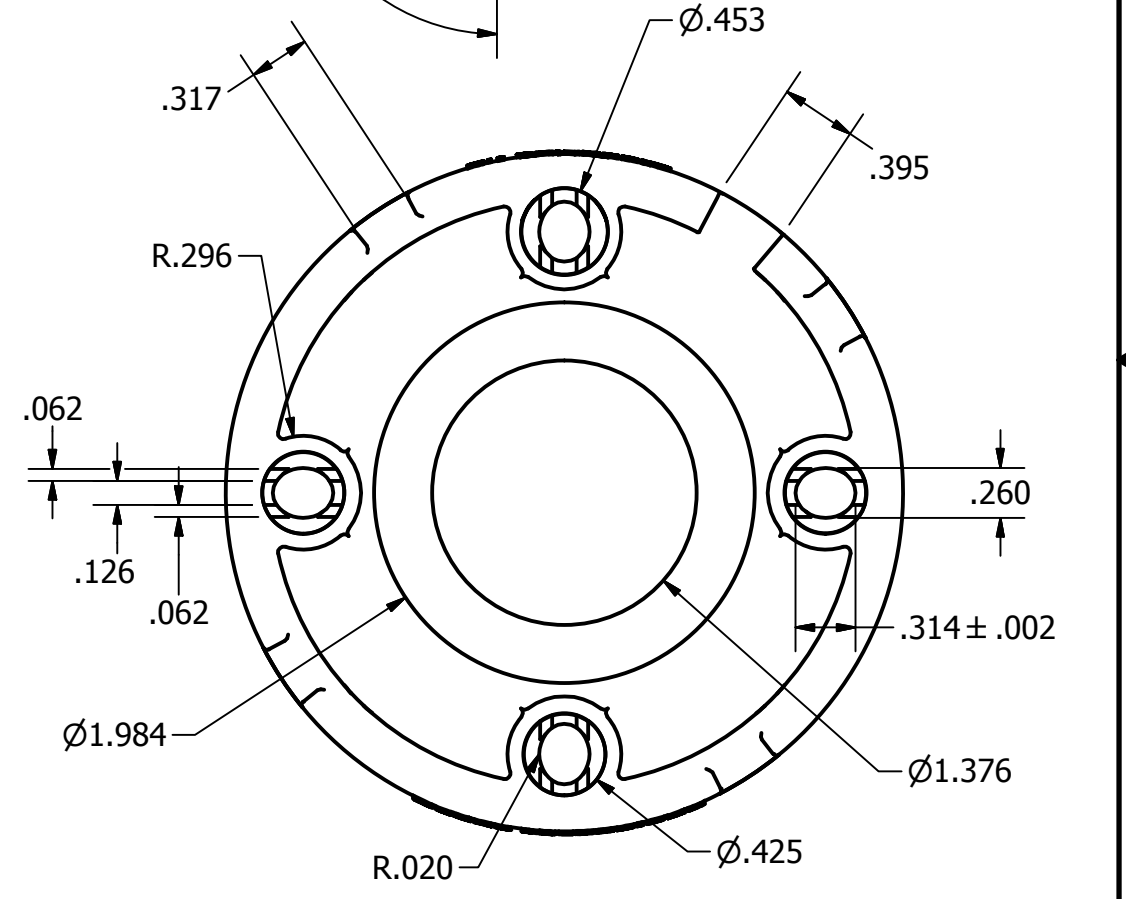
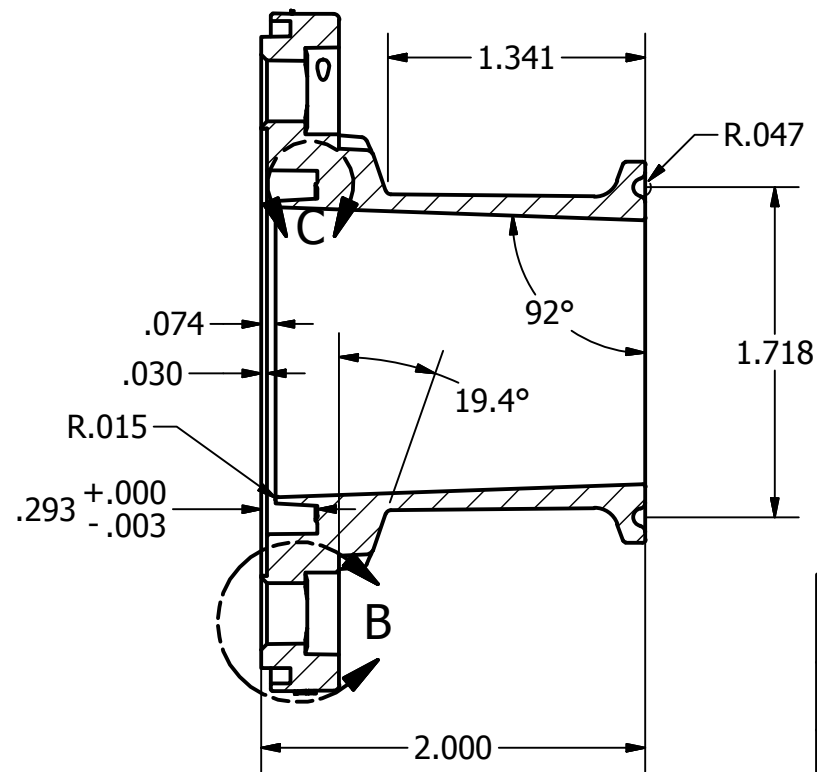
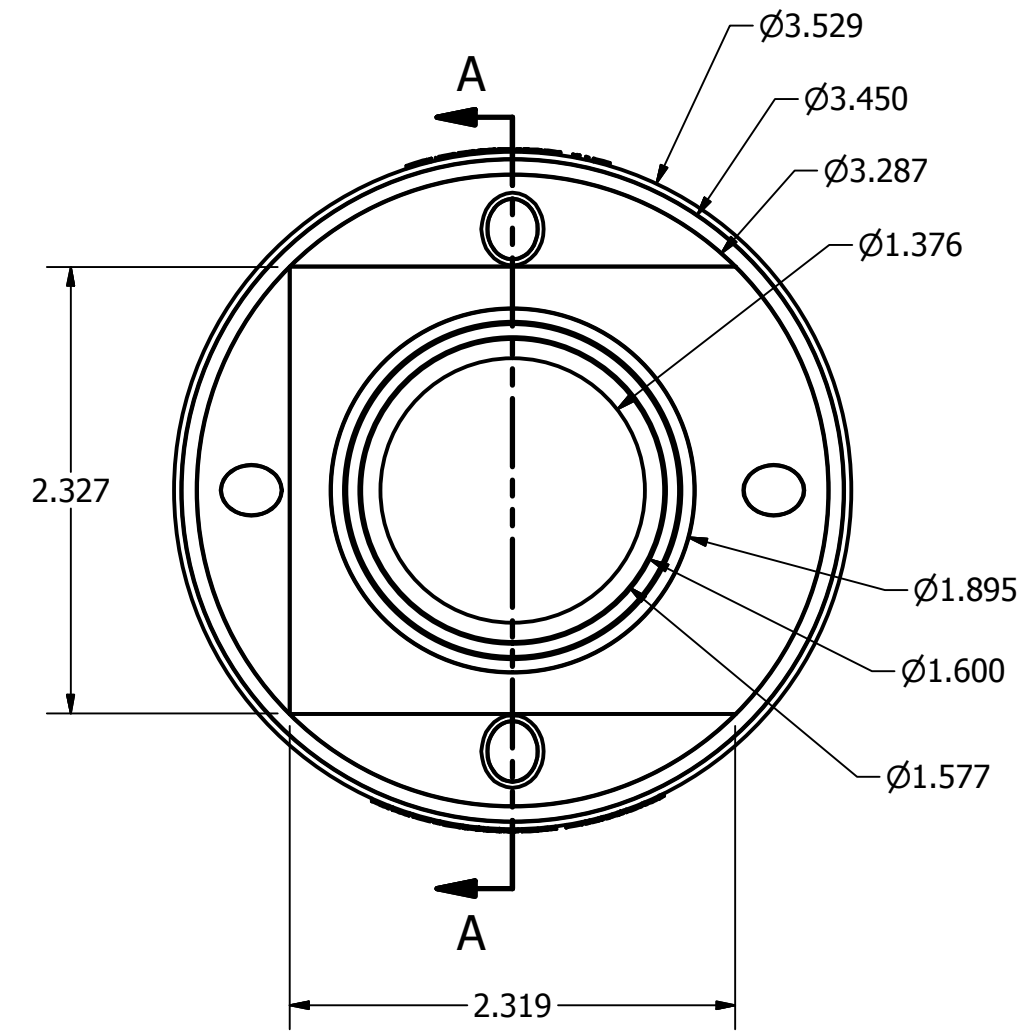
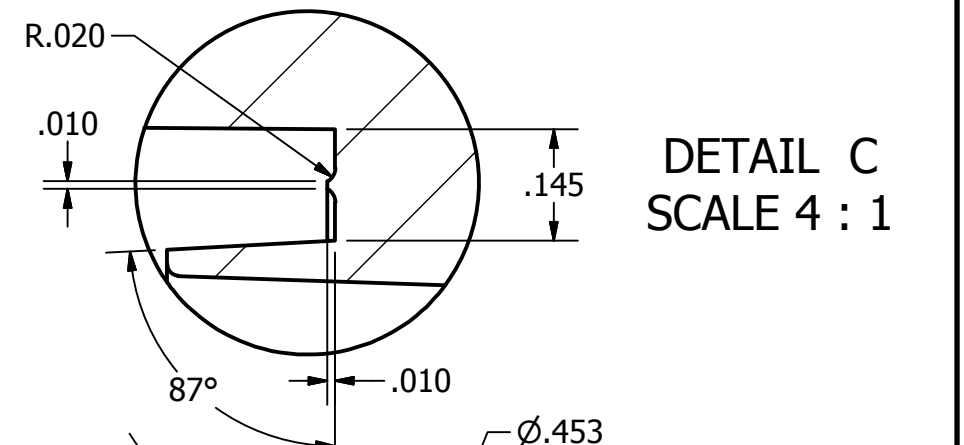


REVISION HISTORY			
REV	DESCRIPTION	DATE	APPROVED
1	Oval Holes	11/5/2019	
0	Initial Release	10/26/2018	



Refine Technology, LLC 26 Chapin Road, Unit 1107 Pine Brook, NJ 07058 P: 973.952.0002 F: 973.952.0211			
THIS DRAWING AND ALL PARTS THEREOF IS AND SHALL REMAIN THE PROPERTY OF REFINE TECHNOLOGY, LLC AND MAY NOT BE REPRODUCED OR DISTRIBUTED FOR ANY PURPOSE WITHOUT THE COMPANY'S WRITTEN CONSENT.			
STD. TOLERANCES UNLESS OTHERWISE SPECIFIED			
MACHINING OPERATIONS 2 PLACE DEC. ±0.010		WELDMENTS AND SHEET METAL FABRICATIONS 3 PLACE DEC. ±1/16	
3 PLACE DEC. ±0.005		FRACTIONAL ±1/64	
FRACTIONAL ±1/64		ANGULAR ±1/2°	
ANGULAR ±1/2°		ANGULAR ±1°	

PROJECT: CleanLine 1.5" Single Use Connector			
TITLE: 1.5" Connector with Tri Clamp Flange			
MATERIAL: Polysulfone USP Class VI FDA 21CFR177.1655		FINISH: SPI-B3	
SIZE: B	DWG: CLC15-QP-CN-TC_REV.ipt	REV: 1	SHT: 1
FILE LOC: C:\Users\dovtorbin\Desktop\CleanLine Connector\CLC15-QP-CN-TC_REV.ipt			
DRAWN: Dov Torbin	APV'D ENGR:	APV'D QA:	SCALE: 1:1
DATE: 11/5/2019	DATE:	DATE:	