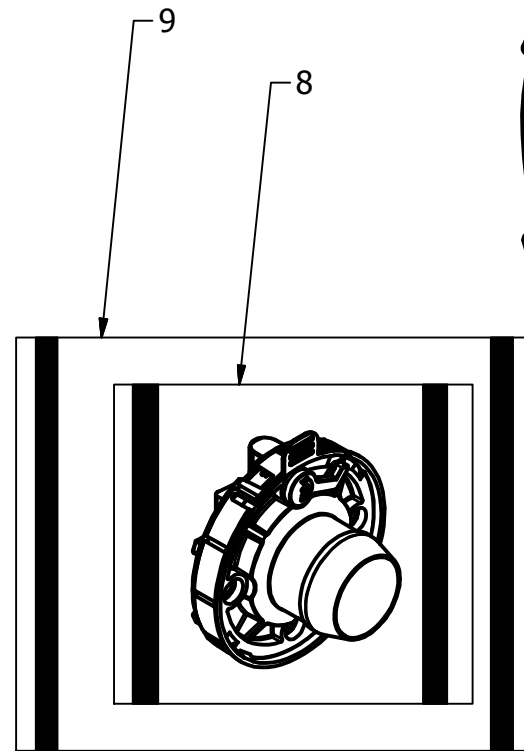
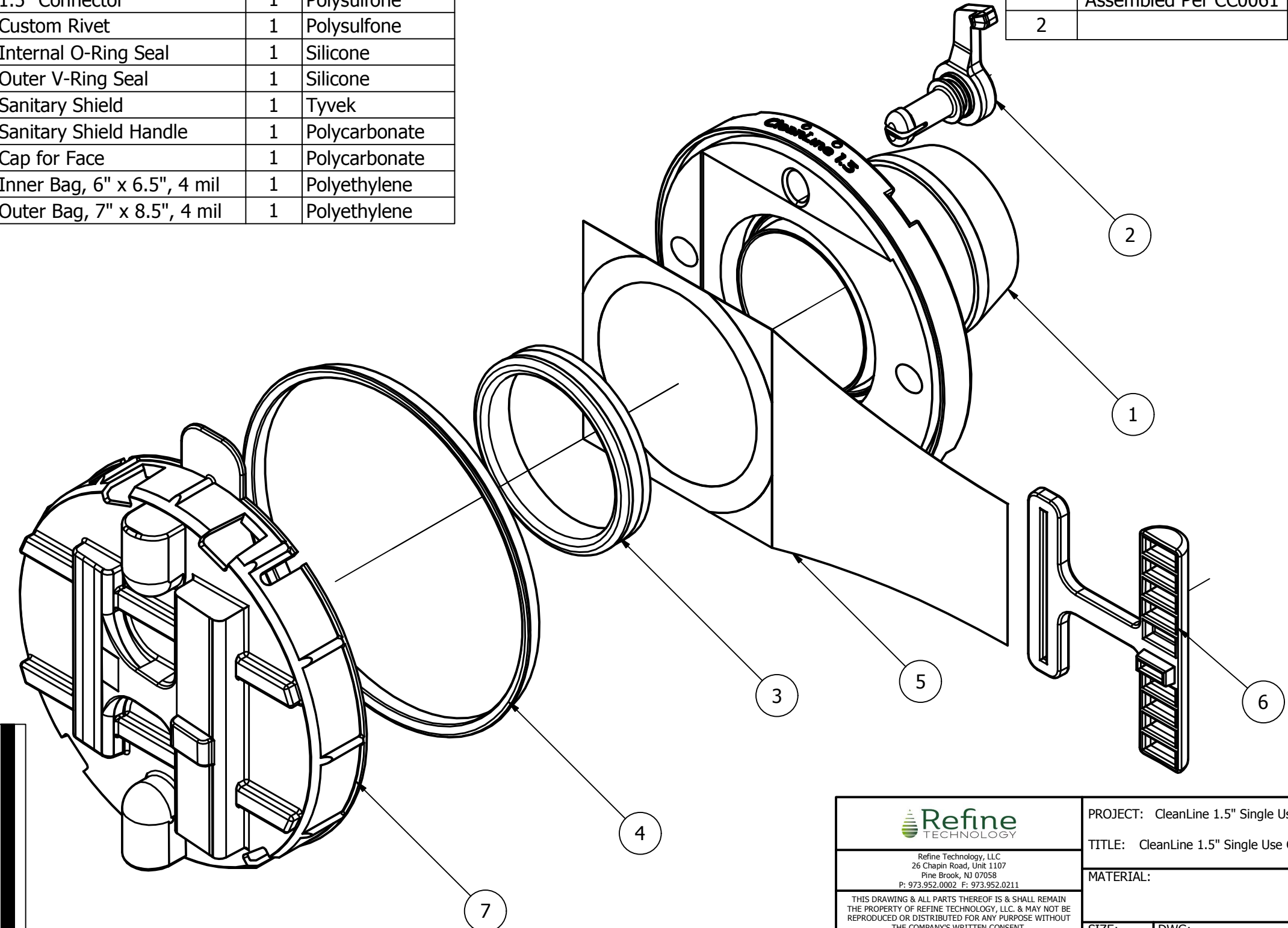


PARTS LIST				
ITEM	PART NUMBER	DESCRIPTION	QTY	MATERIAL
1	CLC15:QP-CN	1.5" Connector	1	Polysulfone
2	CLC15:PM-LLR	Custom Rivet	1	Polysulfone
3	O:FS-50D	Internal O-Ring Seal	1	Silicone
4	CLC15:AS-50D	Outer V-Ring Seal	1	Silicone
5	CLC15:OT-TS2.31x7.5	Sanitary Shield	1	Tyvek
6	CLC15:PL-HNDL	Sanitary Shield Handle	1	Polycarbonate
7	CLC15:PL-CF	Cap for Face	1	Polycarbonate
8	PK:UL-S-1144	Inner Bag, 6" x 6.5", 4 mil	1	Polyethylene
9	PK:UL-S-2392	Outer Bag, 7" x 8.5", 4 mil	1	Polyethylene

REVISION HISTORY			
REV	DESCRIPTION	DATE	APPROVED
0	Initial Release	4/19/2016	
1	New Face Cap and Assembled Per CC0061	1/27/2017	JS
2		5/28/2020	



NOTE: Final Packaging

Refine Technology, LLC 26 Chapin Road, Unit 1107 Pine Brook, NJ 07058 P: 973.952.0002 F: 973.952.0211			
THIS DRAWING & ALL PARTS THEREOF IS & SHALL REMAIN THE PROPERTY OF REFINE TECHNOLOGY, LLC. & MAY NOT BE REPRODUCED OR DISTRIBUTED FOR ANY PURPOSE WITHOUT THE COMPANY'S WRITTEN CONSENT.			
STD. TOLERANCES UNLESS OTHERWISE SPECIFIED			
MACHINING OPERATIONS		WELDMENTS & SHEET METAL FABRICATIONS	
2 PLACE DEC.	±0.010		
3 PLACE DEC.	±0.002	3 PLACE DEC.	±0.005
FRACTIONAL	±1/64	FRACTIONAL	±1/16
ANGULAR	±1/2°	ANGULAR	±1°

PROJECT: CleanLine 1.5" Single Use Connector			
TITLE: CleanLine 1.5" Single Use Connector Half Assembly			
MATERIAL:		FINISH:	
SIZE:	DWG:	REV:	SHT:
B	CLC15-RT-HA.iam	2	1
FILE LOC: C:\Users\dovtorbin\Desktop\CleanLine Connector\CLC15-RT-HA.iam			
DRAWN: Dov Torbin	APV'D ENGR: JS	APV'D QA: BM	SCALE: 1:1
DATE: 11/28/2016	DATE: 8/1/2017	DATE: 6/14/2017	