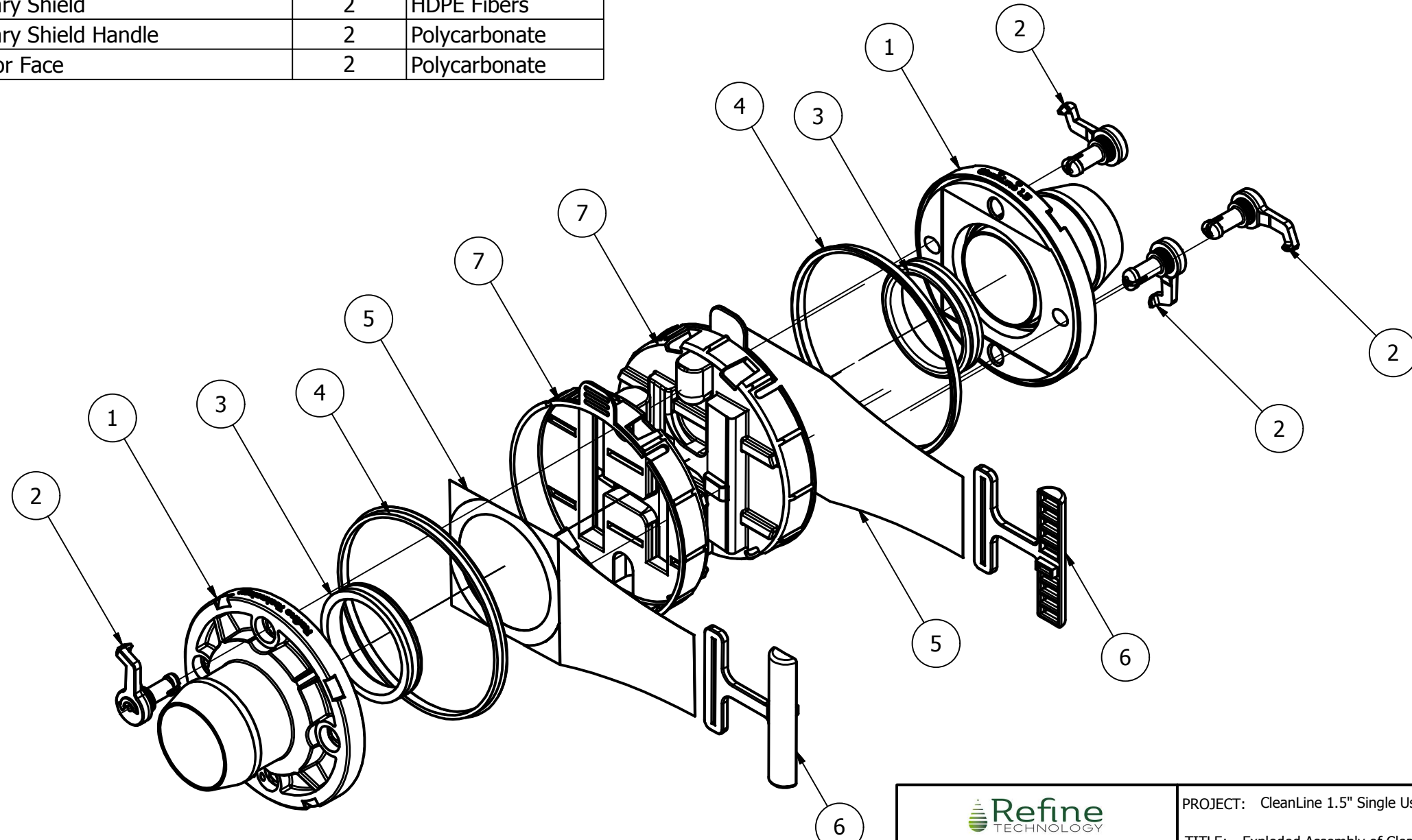



PARTS LIST				
ITEM	PART NUMBER	DESCRIPTION	QTY	MATERIAL
1	CLC15:QP-CN	1.5" Connector	2	Polysulfone
2	CLC15:PM-LLR	Custom Rivet	4	Polysulfone
3	O:FS-50D	Internal O-Ring Seal	2	Silicone
4	CLC15:AS-50D	Outer V-Ring Seal	2	Silicone
5	CLC15:OT-TS2.31x7.5	Sanitary Shield	2	HDPE Fibers
6	CLC15:PL-HNDL	Sanitary Shield Handle	2	Polycarbonate
7	CLC15:PL-CF	Cap for Face	2	Polycarbonate

REVISION HISTORY			
REV	DESCRIPTION	DATE	APPROVED
0	Initial Release	4/19/2016	
1	New Face Cap, Screws and Thumb Nuts per CC0061	6/16/2017	JS
2	CC0078	6/26/2019	
3		5/28/2020	



 Refine Technology, LLC 26 Chapin Road, Unit 1107 Pine Brook, NJ 07058 P: 973.952.0002 F: 973.952.0211		PROJECT: CleanLine 1.5" Single Use Connector	
TITLE: Exploded Assembly of CleanLine 1.5" Single Use Connector			
MATERIAL:		FINISH:	
SIZE: B	DWG: CLC-1.5-EXP.iam	REV: 3	SHT: 1
FILE LOC: C:\Users\dovtorbin\Desktop\CleanLine Connector\CLC-1.5-EXP.iam			
DRAWN: Dov Torbin	APV'D ENGR: JS	APV'D QA: BM	SCALE: 1:2
DATE: 3/8/2016	DATE: 8/1/2017	DATE: 8/1/2017	

STD. TOLERANCES UNLESS OTHERWISE SPECIFIED			
MACHINING OPERATIONS		WELDMENTS AND SHEET METAL FABRICATIONS	
2 PLACE DEC.	±0.010		
3 PLACE DEC.	±0.005	3 PLACE DEC.	±1/16
FRACTIONAL	±1/64	FRACTIONAL	±1/16
ANGULAR	±1/2°	ANGULAR	±1°