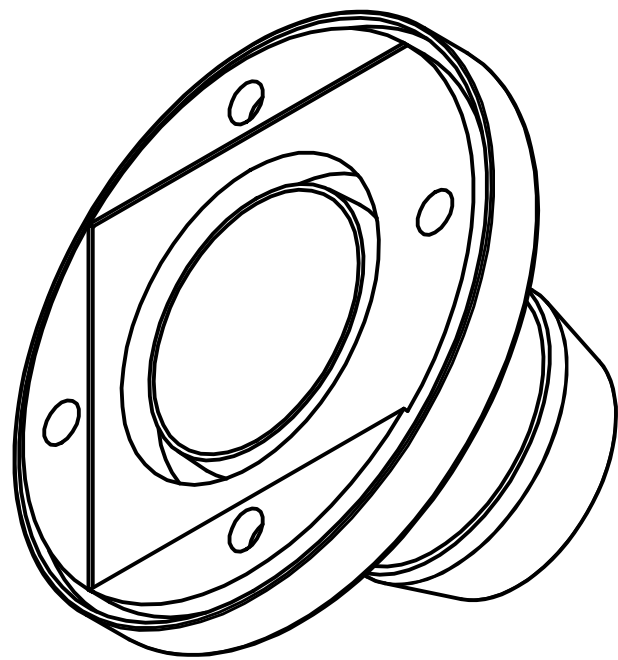
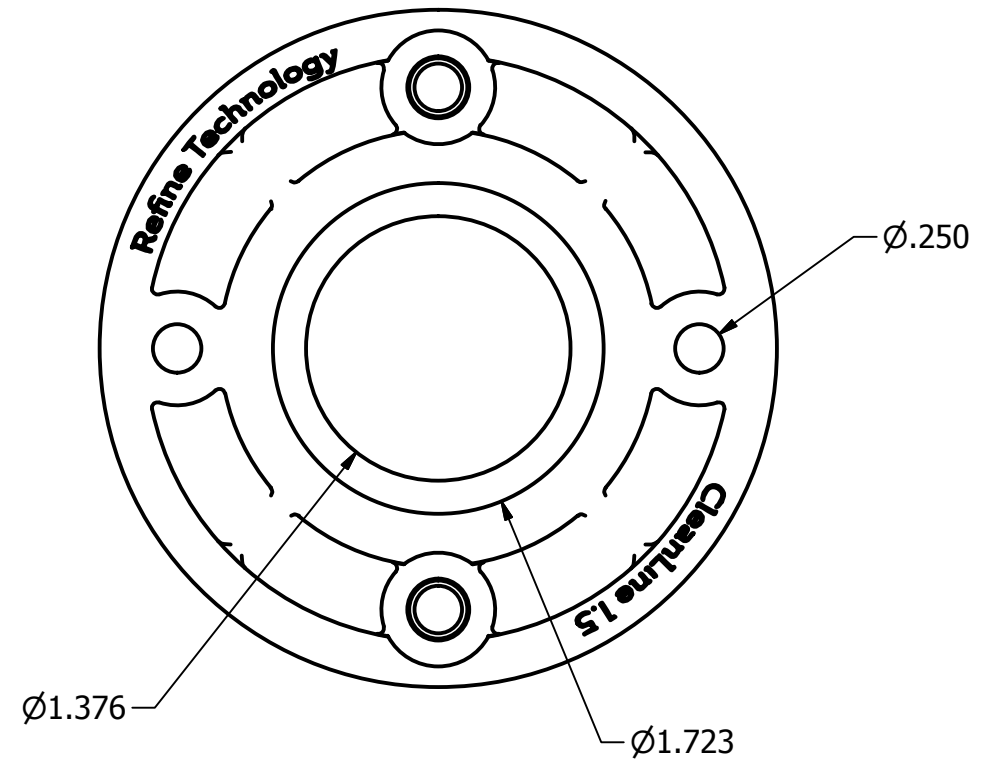


SECTION A-A  
SCALE 1 : 1



		PROJECT: CleanLine 1.5" Single Use Connector																							
Refine Technology, LLC 26 Chapin Road, Unit 1107 Pine Brook, NJ 07058 P: 973.952.0002 F: 973.952.0211		TITLE: 1.5" Connector																							
THIS DRAWING AND ALL PARTS THEREOF IS AND SHALL REMAIN THE PROPERTY OF REFINE TECHNOLOGY, LLC AND MAY NOT BE REPRODUCED OR DISTRIBUTED FOR ANY PURPOSE WITHOUT THE COMPANY'S WRITTEN CONSENT.		MATERIAL: Polysulfone USP Class VI FDA 21CFR177.1655		FINISH: SPI-B3																					
STD. TOLERANCES UNLESS OTHERWISE SPECIFIED		SIZE: B	DWG: CLC15-QP-CN.ipt	REV: 0	SHT: 1																				
<table border="1"> <thead> <tr> <th colspan="2">MACHINING OPERATIONS</th> <th colspan="2">WELDMENTS AND SHEET METAL FABRICATIONS</th> </tr> </thead> <tbody> <tr> <td>2 PLACE DEC.</td> <td>±0.010</td> <td></td> <td></td> </tr> <tr> <td>3 PLACE DEC.</td> <td>±0.005</td> <td>3 PLACE DEC.</td> <td>±1/16</td> </tr> <tr> <td>FRACTIONAL</td> <td>±1/64</td> <td>FRACTIONAL</td> <td>±1/16</td> </tr> <tr> <td>ANGULAR</td> <td>±1/2°</td> <td>ANGULAR</td> <td>±1°</td> </tr> </tbody> </table>		MACHINING OPERATIONS		WELDMENTS AND SHEET METAL FABRICATIONS		2 PLACE DEC.	±0.010			3 PLACE DEC.	±0.005	3 PLACE DEC.	±1/16	FRACTIONAL	±1/64	FRACTIONAL	±1/16	ANGULAR	±1/2°	ANGULAR	±1°	FILE LOC: C:\Users\dovtorbin\Documents\CleanLine Final Parts\CLC15-QP-CN.ipt			
MACHINING OPERATIONS		WELDMENTS AND SHEET METAL FABRICATIONS																							
2 PLACE DEC.	±0.010																								
3 PLACE DEC.	±0.005	3 PLACE DEC.	±1/16																						
FRACTIONAL	±1/64	FRACTIONAL	±1/16																						
ANGULAR	±1/2°	ANGULAR	±1°																						
		DRAWN: Dov Torbin	APV'D ENGR:	APV'D QA:	SCALE: 1:1																				
		DATE: 9/29/2015	DATE:	DATE:																					