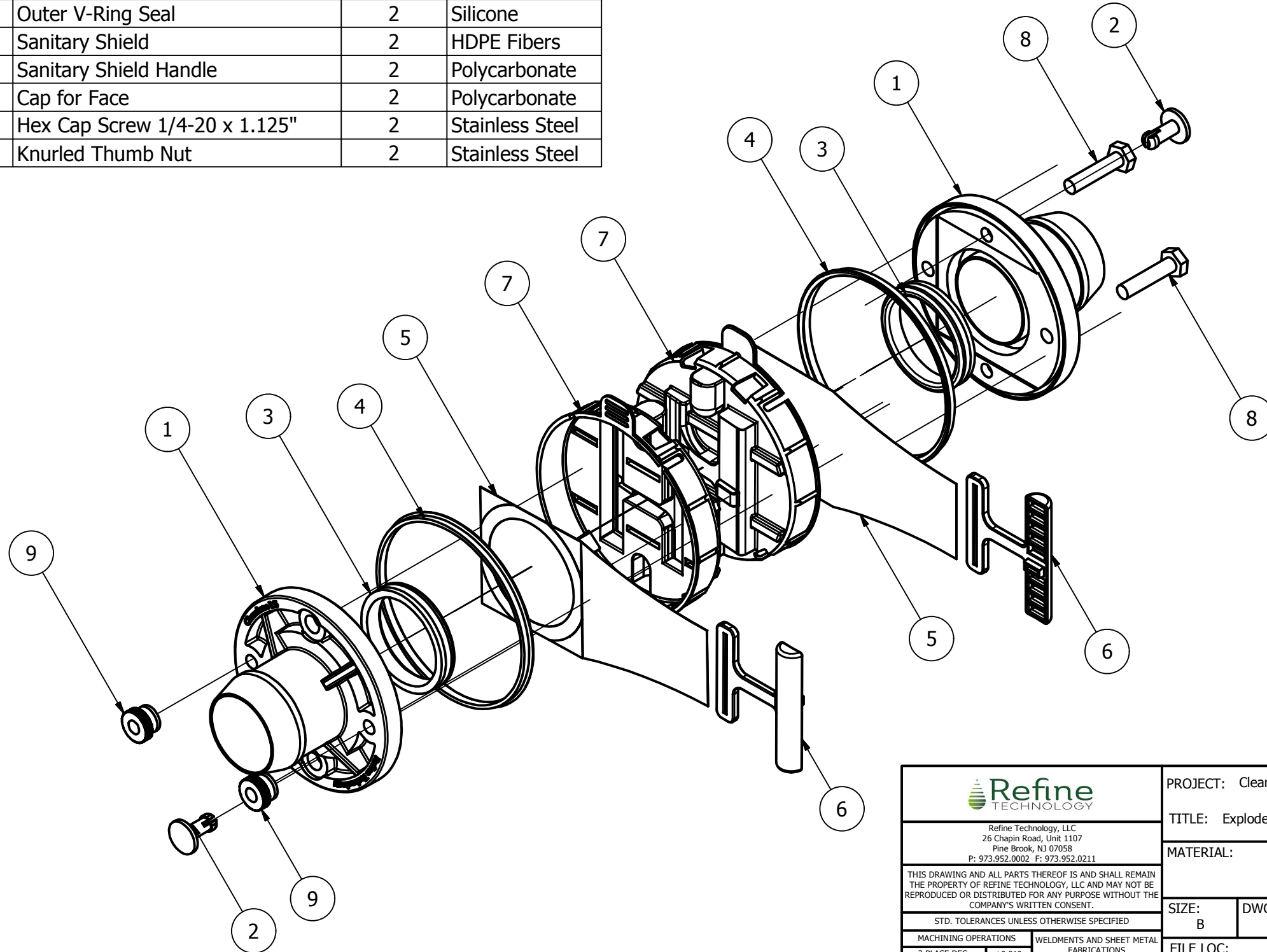


PARTS LIST				
ITEM	PART NUMBER	DESCRIPTION	QTY	MATERIAL
1	CLC15:QP-CN	1.5" Connector	2	Polysulfone
2	CLC15:QP-CR	Custom Rivet	2	Polysulfone
3	O:FS-50D	Internal O-Ring Seal	2	Silicone
4	CLC15:AS-50D	Outer V-Ring Seal	2	Silicone
5	CLC15:OT-TS2.31x7.5	Sanitary Shield	2	HDPE Fibers
6	CLC15:PL-HNDL	Sanitary Shield Handle	2	Polycarbonate
7	CLC15:PL-CF	Cap for Face	2	Polycarbonate
8	SR:MC-92240A545	Hex Cap Screw 1/4-20 x 1.125"	2	Stainless Steel
9	SR:MC-95150A170	Knurled Thumb Nut	2	Stainless Steel

REVISION HISTORY			
REV	DESCRIPTION	DATE	APPROVED
0	Initial Release	4/19/2016	
1	New Face Cap	11/16/2016	



		PROJECT: CleanLine 1.5" Single Use Connector																					
Refine Technology, LLC 26 Chapin Road, Unit 1107 Pine Brook, NJ 07058 P: 973.952.0002 F: 973.952.0211		TITLE: Exploded Assembly of CleanLine 1.5" Single Use Connector																					
THIS DRAWING AND ALL PARTS THEREOF IS AND SHALL REMAIN THE PROPERTY OF REFINE TECHNOLOGY, LLC AND MAY NOT BE REPRODUCED OR DISTRIBUTED FOR ANY PURPOSE WITHOUT THE COMPANY'S WRITTEN CONSENT.		MATERIAL: FINISH:																					
STD. TOLERANCES UNLESS OTHERWISE SPECIFIED		SIZE: B	DWG: CLC-1.5-EXP.iam																				
<table border="1"> <tr> <th colspan="2">MACHINING OPERATIONS</th> <th colspan="2">WELDMENTS AND SHEET METAL FABRICATIONS</th> </tr> <tr> <td>2 PLACE DEC.</td> <td>±0.010</td> <td></td> <td></td> </tr> <tr> <td>3 PLACE DEC.</td> <td>±0.005</td> <td>3 PLACE DEC.</td> <td>±1/16</td> </tr> <tr> <td>FRACTIONAL</td> <td>±1/64</td> <td>FRACTIONAL</td> <td>±1/16</td> </tr> <tr> <td>ANGULAR</td> <td>±1/2°</td> <td>ANGULAR</td> <td>±1°</td> </tr> </table>		MACHINING OPERATIONS		WELDMENTS AND SHEET METAL FABRICATIONS		2 PLACE DEC.	±0.010			3 PLACE DEC.	±0.005	3 PLACE DEC.	±1/16	FRACTIONAL	±1/64	FRACTIONAL	±1/16	ANGULAR	±1/2°	ANGULAR	±1°	REV: 1	SHT: 1
MACHINING OPERATIONS		WELDMENTS AND SHEET METAL FABRICATIONS																					
2 PLACE DEC.	±0.010																						
3 PLACE DEC.	±0.005	3 PLACE DEC.	±1/16																				
FRACTIONAL	±1/64	FRACTIONAL	±1/16																				
ANGULAR	±1/2°	ANGULAR	±1°																				
FILE LOC: \\SBS2008\Refine Technology\Engineering\Released\Products\CleanLine 1.5 Connector\ISSUED_DRAWINGS\CLC-1.5-EXP.iam																							
DRAWN: Dov Torbin		APV'D ENGR:	APV'D QA:																				
DATE: 3/8/2016		DATE:	DATE:																				
		SCALE: 1:2																					