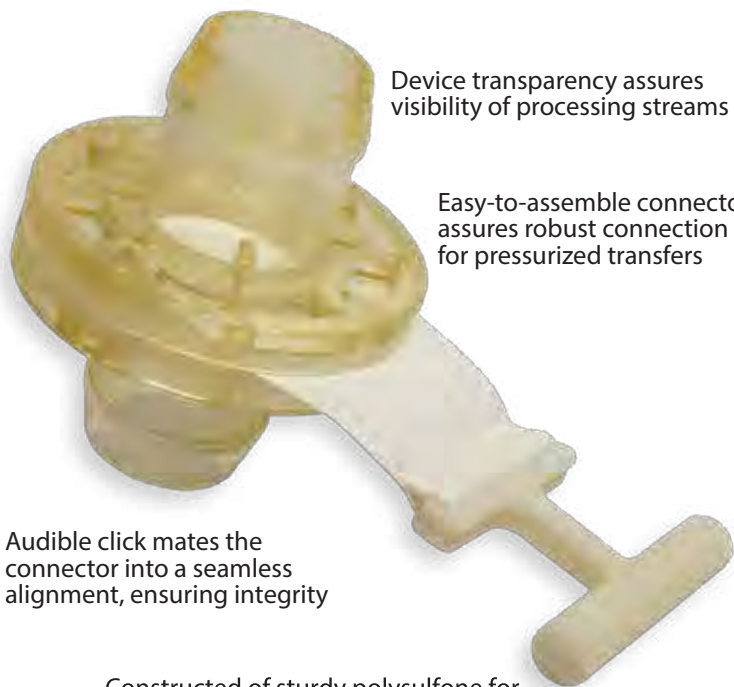


1.5" Single Use Connector



Device transparency assures visibility of processing streams

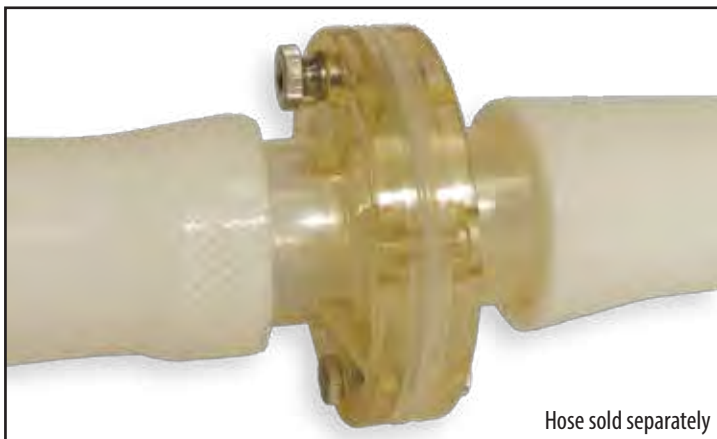
Easy-to-assemble connector assures robust connection for pressurized transfers

Audible click mates the connector into a seamless alignment, ensuring integrity

Constructed of sturdy polysulfone for high pressure/vacuum applications

Rapid and reliable sterilizable connection for upstream and downstream bioprocessing

Patent Pending



Hose sold separately

Internal and external sealing barriers provide a double layer of protection, allowing for maintenance of asepsis under rigorous processing conditions.

A true 1.5" single use aseptic connector for high volume transfer at low differential pressures.

Particularly suitable for fragile molecules, organisms and biopharmaceutical processes.

- Open design facilitates connections to standard 1.5" T.C. ports available on stainless steel or disposable aseptic processing systems
- Connects to large ID process hosing with standard hose barb
- Compatible with traditional stainless steel process equipment
- Achieves room-to-room or vessel-to-vessel transfers with flexible and reliable connection of large diameter process hose
- Ergonomic pull-tab design for ease of operation
- Many applications including:
 - Upstream to downstream transfer
 - Media preparation and transfer
 - Bioreactor harvest
 - Sterile waste removal from process stream
 - WFI or sterile water transfers

CleanLine™ Connectors provide the benefits of aseptic single use capability while maintaining the reliability typically associated with traditional stainless steel technology.

Quality

- CleanLine™ Connector body material meets USP Class VI, 21 CFR 177.1655, and is Animal Derived Component Free
- Components are cleaned, assembled, and packaged in an ISO 7 clean room
- Compatible with autoclave and gamma sterilization
- Each lot's materials of construction have 100% traceability

Validation

- Gamma stable up to 50 kGy
- Autoclave stable 124°C for 60 minutes
- Form, fit, and function are maintained following steam and vacuum autoclave cycles
- Vacuum hold up to 26" Hg
- Pressure hold up to 80 psi
- Sterility can be maintained after connection in an uncontrolled environment
- Water flow rate of 290 liters per minute at pressure drop of 0.69 psi

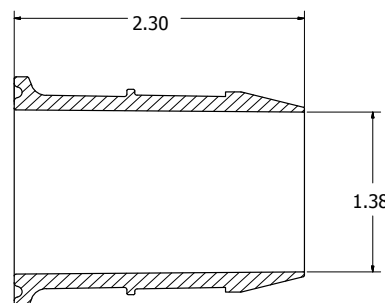
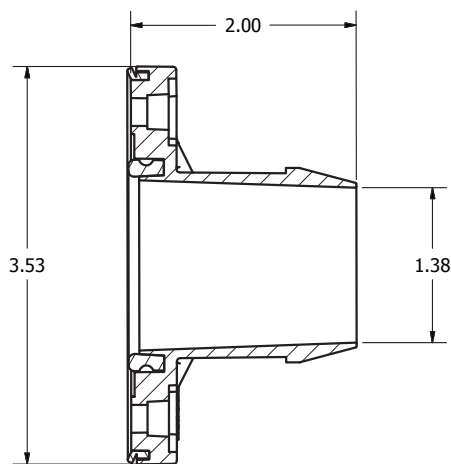
Easy 1,2,3 Connection

1. Press connector halves together until one hears an audible click
2. Mate the handles and pull to remove the sanitary shields
3. Fasten with stainless steel bolts

1.5" Single Use Connector

Operating temperature: 4°C to 50°C

Operating pressure: 26" Hg up to 5.5 bar/80 psig



Product	Product Number
CleanLine™ 1.5" Single Use Connector	CLC-1.5
Accessories for use with CleanLine 1.5" Single Use Connector	
Hose Barb to T.C. Adapter	CLCOP:QP-BR
1.5" x 6" Fabric Reinforced Silicone Hose	ST:PT-FR-1.5x6
1.5" x 12" Fabric Reinforced Silicone Hose	ST:PT-FR-1.5x12
1.5" x 24" Fabric Reinforced Silicone Hose	ST:PT-FR-1.5x24
1.5" x 48" Fabric Reinforced Silicone Hose	ST:PT-FR-1.5x48
1.5" x 6" Stainless Steel Reinforced Silicone Hose	ST:PT-SS-1.5x6
1.5" x 12" Stainless Steel Reinforced Silicone Hose	ST:PT-SS-1.5x12
1.5" x 24" Stainless Steel Reinforced Silicone Hose	ST:PT-SS-1.5x24
1.5" x 48" Stainless Steel Reinforced Silicone Hose	ST:PT-SS-1.5x48

Gamma sterilized connectors and hose, custom lengths of hose, and connector and hose assemblies available upon request. All CleanLine™ accessories are made with Medical Grade materials.